

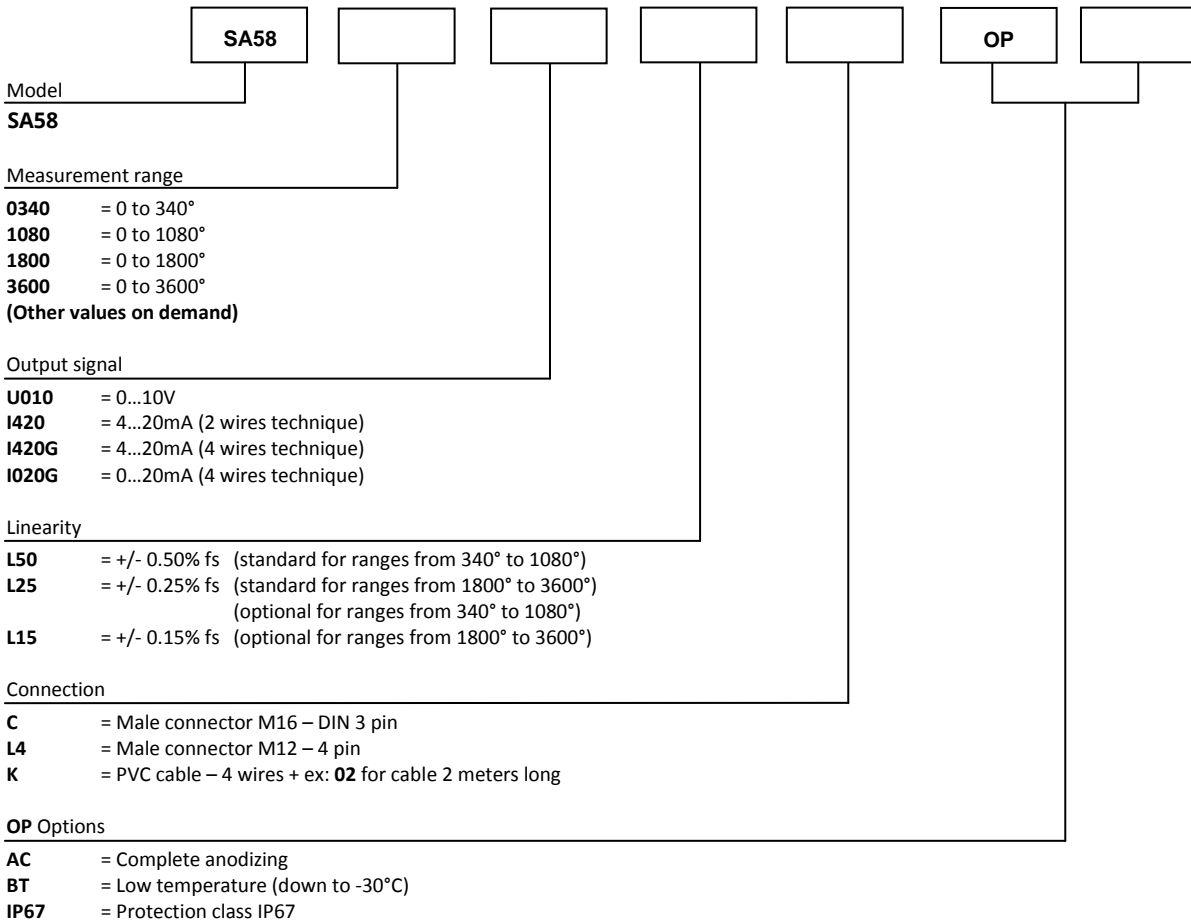
SA58 Analog output – Measurement range from 90 to 3600°

Specifications:

Measurement range	90 to 3600°
Output signal	0...10V (galvanic isolation) 4...20mA ; 2 wires technique 4...20mA ; 4 wires technique (galvanic isolation) 0...20mA ; 4 wires technique (galvanic isolation)
Resolution	Quasi infinite (depends on the operating system)
Material	Body and cover - Aluminium (RohS) Measuring cable – Stainless steel 303
Axis diameter	10mm
Detection element	Multi-turn Hybrid potentiometer
Connection	Male connector M16 – DIN 3 pin Male connector M12 – 4 pin PVC cable – 4 wires
Linearity	+/- 0,50% fs – Range ≤ 340° +/- 0,25% fs – Range > 340° Range ≤ 340° (optional) +/- 0,15% fs – Range > 340° (optional)
Shock resistance	≤ 500m.s ⁻² (6 ms)
Vibration resistance	≤ 100m.s ⁻² (55 ... 2 000 Hz)
Protection class	IP54 (option IP67)
Weight	≈ 700 g
Operating temperature	-20° to +80°C
Storage temperature	-30° to +80°C



Ordering reference:



Reference example: SA58-3600-U010-H-L25-K02-OP-IP67



SENSING, S.L

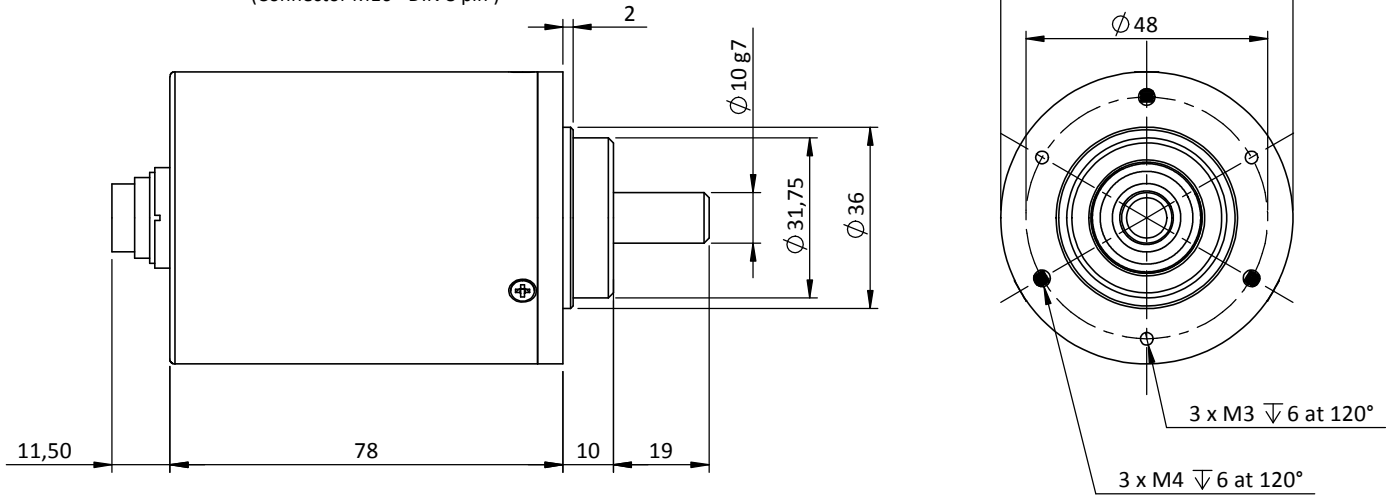
www.sensores-de-medida.es

sensing@sensing.es

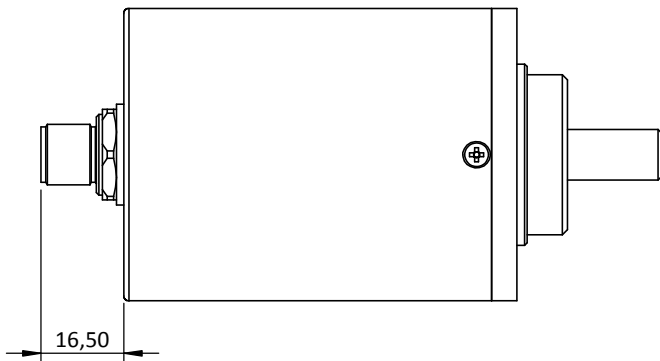
+34 91 622 24 38

Dimensional Drawing

C connection
(Connector M16 - DIN 8 pin)



L4 connection
(connector M12 - 4 pin)



K connection
(PVC cable - 4 wires)

