

**Accessori Accessories**

**A**



- ✓ Snodi sferici per tarature in trazione e compressione.
- ✓ Snodi sferici per la taratura di macchine prova materiali attrezzate con pinze per afferraggio tondini.
- ✓ *Ball joints for calibration in tension and compression.*
- ✓ *Ball joints for the calibration of testing machines equipped with clamps grip rods.*



Certificato di Taratura ACCREDIA  
**A RICHIESTA**

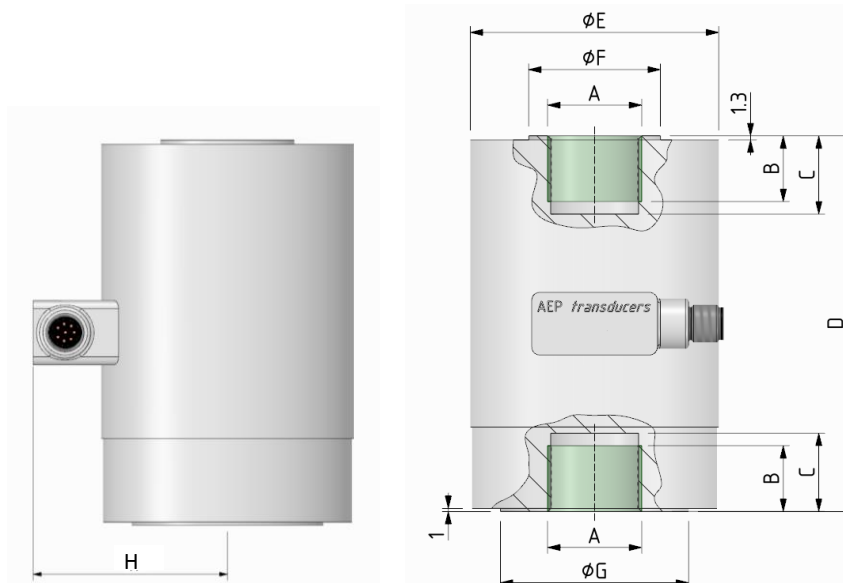
LAT N° 093  
**Calibration Centre**  
The products are NOT covered by accreditation

ACCREDIA Calibration Certificate  
**ON REQUEST**



**Dimensioni Dimensions**

[mm]



CODE (Class 00)	CODE (Class 0.5)	CODE (Class 1)	LOAD	A	B	C	D	ØE	ØF	ØG	H
CLB30KNI00	CLB30KNI0	CLB30KNI1	30 kN	M20x1.5	19	23	120	79	42	60	60
CLB50KNI00	CLB50KNI0	CLB50KNI1	50 kN	M30x2	21	25	120	79	42	60	60
<sup>(1)</sup> CLB100KNI00	CLB100KNI0	CLB100KNI1	100 kN								
<sup>(1)</sup> CLB200KNI00	CLB200KNI0	CLB200KNI1	200 kN	M42x3	30	32	150	102	60	70	72
<sup>(1)</sup> CLB300KNI00	CLB300KNI0	CLB300KNI1	300 kN								
<sup>(1)</sup> CLB500KNI00	CLB500KNI0	CLB500KNI1	500 kN	M42x3	32	37	210	102	60	80	72
<sup>(1)</sup> CLB600KNI00	CLB600KNI0	CLB600KNI1	600 kN	M56x3	35	40.5	210	102	67	80	72

<sup>(1)</sup> La taratura ACCREDIA NON può essere eseguita dal Centro LAT N° 093, a richiesta può essere commissionata ad altri Centri di taratura accreditati.  
ACCREDIA certification can NOT be performed by LAT n° 93 Laboratory, on request it can be ordered to other Accredited Laboratories.

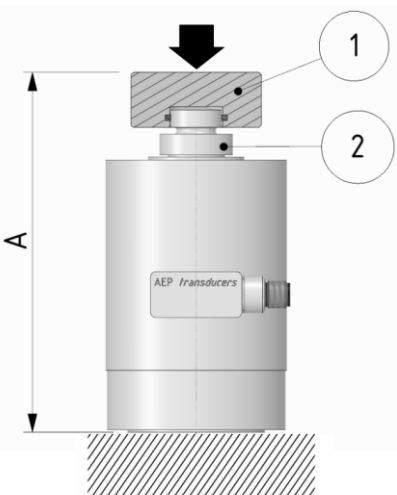
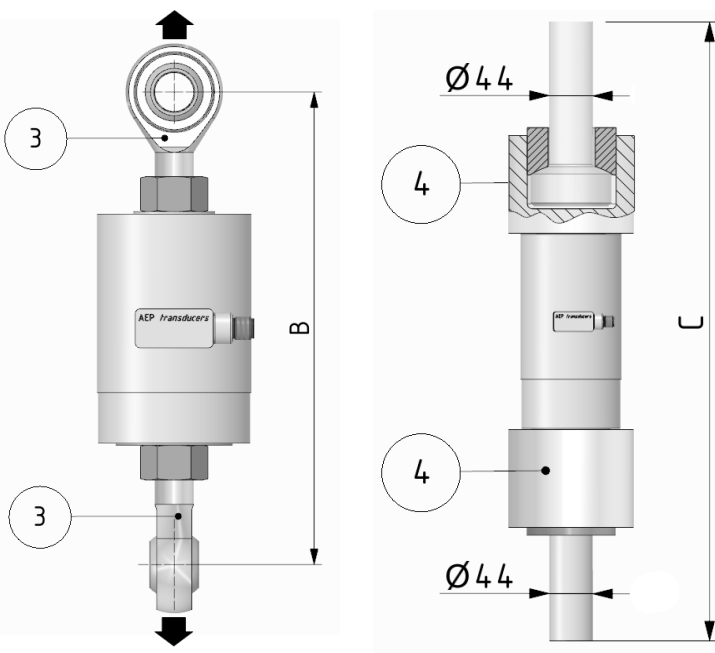
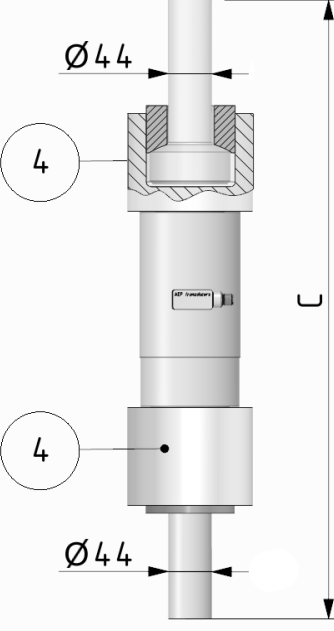
**Dati Tecnici**
**Technical Data**


Classe di precisione: <b>ISO 376</b>	Accuracy class: <b>ISO 376</b>	<b>00</b>	<b>0.5</b>	<b>1</b>
CARICO NOMINALE	NOMINAL LOAD	30- 50 - 100 - 200 - 300 - 500 - 600 kN		
ERRORI RELATIVI (al valore letto) a) ripetibilità 0°-120°-240° (b) b) interpolazione (fc) c) reversibilità (u) d) zero (fo)	RELATIVE ERRORS (at reading) a) repeatability 0°-120°-240° (b) b) interpolation (fc) c) reversitivity (u) d) zero (fo)	≤±0.050% <sup>(1)</sup> ≤±0.020% <sup>(1)</sup> ≤±0.070% <sup>(1)</sup> ≤±0.010% F.S.	≤±0.085% <sup>(1)</sup> ≤±0.040% <sup>(1)</sup> ≤±0.135% <sup>(1)</sup> ≤±0.020% F.S.	≤±0.150% <sup>(1)</sup> ≤±0.055% <sup>(1)</sup> ≤±0.250% <sup>(1)</sup> ≤±0.020% F.S.
LINEARITA' ISTERESI	LINEARITY HYSTERESIS	≤ ±0.03% F.S. ≤ ±0.03% F.S.		
EFFETTO DELLA TEMP. (10°C) a) sullo zero b) sulla sensibilità	TEMPERATURE EFFECT (10°C) a) on zero b) on sensitivity	≤ ±0.030% F.S. ≤ ±0.011% F.S.		
SENSIBILITA' NOMINALE TOLLERANZA DI CALIBRAZIONE	NOMINAL SENSITIVITY SENSIVITY TOLERANCE	2 mV/V ≤ ±0.1% F.S.		
CARICO NOMINALE Resistenza di ingresso Resistenza di uscita	NOMINAL LOAD Input resistance Output resistance	<b>30, 50, 100, 200 kN</b> 350 ± 2Ω 350 ± 2Ω		
CARICO NOMINALE Resistenza di ingresso Resistenza di uscita	NOMINAL LOAD Input resistance Output resistance	<b>300, 500, 600 kN</b> 700 ± 2Ω 700 ± 2Ω		
RESISTENZA DI ISOLAMENTO BILANCIAMENTO DI ZERO ALIMENTAZIONE DI RIFERIMENTO ALIMENTAZIONE NOMINALE ALIMENTAZIONE MAX.	INSULATION RESISTANCE ZERO BALANCE RECOMENDED SUPPLY VOLTAGE NOMINAL SUPPLY VOLTAGE MAXIMUM SUPPLY VOLTAGE	> 5 GΩ ≤ ± 1% F.S. 10 V 1-15 V 18 V		
VALORI MECCANICI LIMITE RIFERITI AL CARICO NOMINALE: a) carico di servizio b) carico limite c) carico di rottura d) massimo carico trasversale e) carico dinamico limite FRECCIA MAX. AL CARICO NOMINALE	MECHANICAL LIMIT VALUES REFERRED TO NOMINAL LOAD: a) service load b) max permissible load c) breaking load d) max transverse load e) max permissible dynamic load DISPLACEMENT AT NOMINAL LOAD	120% 150% > 300% 50% 50% ~ 0.3 mm		
TEMPERATURA DI RIFERIMENTO CAMPO NOMINALE DI TEMPERATURA TEMPERATURA DI ESERCIZIO TEMPERATURA DI STOCCAGGIO	REFERENCE TEMPERATURE TEMPERATURE NOMINAL RANGE SERVICE TEMPERATURE STORAGE TEMPERATURE	+23°C -10 / +40 °C -10 / +70 °C -20 / +80 °C		
PESO	WEIGHT	<b>30 ... 100 kN</b> ~ 2.4 kg	<b>200, 300 kN</b> ~ 4.6 kg	<b>500, 600 kN</b> ~ 8.5 kg
CLASSE DI PROTEZIONE (EN 60529) MATERIALE DINAMOMETRO USCITA CONNETTORE	PROTECTION CLASS (EN 60529) EXECUTION MATERIAL CONNECTOR OUTPUT	IP67 Acciaio Inox / Stainless Steel <b>M12 8 Poles Male connector</b>		
TESTE A SNODO SFERICO CONSIGLIATE	RECOMMENDED KUNCKLE JOINTS	DURBAL EM20 - EM30 – EM42		

<sup>(1)</sup> Errori percentuali calcolati al valore letto, min. 1/10 del carico nominale / Percentual errors referred to reading, min. 1/ 10 of nominal load.  
A richiesta classificazioni secondo **ASTM E74** / Classifications according **ASTM E74** on request.

## Applicazioni

## Applications

COMPRESIONE <i>COMPRESSION</i>	TRAZIONE <i>TENSION</i>																								
 <table border="1"> <tr> <td>CLB 30 kN</td> <td>A = 157mm</td> </tr> <tr> <td>CLB 50, 100 kN</td> <td>A = 159mm</td> </tr> <tr> <td>CLB 200, 300 kN</td> <td>A = 210 mm</td> </tr> <tr> <td>CLB 500 kN</td> <td>A = 260 mm</td> </tr> <tr> <td>CLB 600 kN</td> <td>A = 277 mm</td> </tr> </table>	CLB 30 kN	A = 157mm	CLB 50, 100 kN	A = 159mm	CLB 200, 300 kN	A = 210 mm	CLB 500 kN	A = 260 mm	CLB 600 kN	A = 277 mm	 <table border="1"> <tr> <td>CLB 30 kN</td> <td>B = ~240mm</td> </tr> <tr> <td>CLB 50, 100 kN</td> <td>B = ~300mm</td> </tr> <tr> <td>CLB 200 kN</td> <td>B = ~420 mm</td> </tr> <tr> <td>CLB 300 kN</td> <td>B = ~500 mm</td> </tr> <tr> <td>CLB 500 kN</td> <td>B = ~600 mm</td> </tr> </table>  <table border="1"> <tr> <td>CLB 300 kN</td> <td>C = ~530 mm</td> </tr> <tr> <td>CLB 500, 600 kN</td> <td>C = ~640 mm</td> </tr> </table>	CLB 30 kN	B = ~240mm	CLB 50, 100 kN	B = ~300mm	CLB 200 kN	B = ~420 mm	CLB 300 kN	B = ~500 mm	CLB 500 kN	B = ~600 mm	CLB 300 kN	C = ~530 mm	CLB 500, 600 kN	C = ~640 mm
CLB 30 kN	A = 157mm																								
CLB 50, 100 kN	A = 159mm																								
CLB 200, 300 kN	A = 210 mm																								
CLB 500 kN	A = 260 mm																								
CLB 600 kN	A = 277 mm																								
CLB 30 kN	B = ~240mm																								
CLB 50, 100 kN	B = ~300mm																								
CLB 200 kN	B = ~420 mm																								
CLB 300 kN	B = ~500 mm																								
CLB 500 kN	B = ~600 mm																								
CLB 300 kN	C = ~530 mm																								
CLB 500, 600 kN	C = ~640 mm																								

## Accessori Accessories



	CODE:		ACCESSORIES (optional)	ACCESSORI (opzionali)
CLB: 30 kN	CTIC22	①	Loading head.	Testa di carico
	CTS25M20	②	Spherical loading head.	Testa di carico sferica.
	CACCEM20	③	Knuckle joints.	Teste a snodo sferico
CLB: 50, 100 kN	CTIC28	①	Loading head.	Testa di carico
	CTS45M30	②	Spherical loading head.	Testa di carico sferica.
	CACCEM30	③	Knuckle joints.	Teste a snodo sferico
CLB: 200 kN	CTIC35	①	Loading head.	Testa di carico
	CTS62M42TCE	②	Spherical loading head.	Testa di carico sferica.
	CACCEM42	③	Knuckle joints.	Teste a snodo sferico
CLB: 300 kN	CTIC35	①	Loading head.	Testa di carico
	CTS62M42TCE	②	Spherical loading head.	Testa di carico sferica.
	CACCEM4230TB	③	Knuckle joints.	Teste a snodo sferico
	CAT3M42	④	Knuckle joints.	Teste a snodo sferico
CLB: 500 kN	CTIC35	①	Loading head.	Testa di carico
	CTS62M42TCE	②	Spherical loading head.	Testa di carico sferica.
	CACCEM4250TB	③	Knuckle joints.	Teste a snodo sferico
	CAT5M42	④	Knuckle joints.	Teste a snodo sferico
CLB: 600 kN	CTIC60	①	Loading head.	Testa di carico
	CTS75M56	②	Spherical loading head.	Testa di carico sferica.
	CAT6M56	④	Knuckle joints.	Teste a snodo sferico

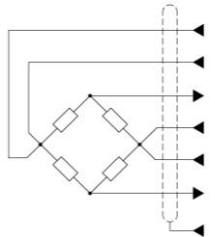



## Collegamenti Elettrici *Electrical Connections*

Con CONNETTORE M12x1 femmina 8 poli dritto completo di CAVO schermato PVC 105°C, Ø 5.2mm a 6 conduttori Ø0.25mm<sup>2</sup> stagnati, lunghezza 5m.

\* Collegato al corpo del trasduttore.

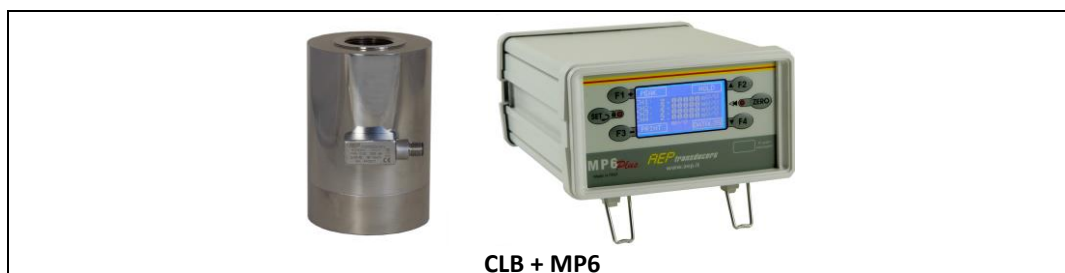
*With female 8 poles straight M12x1 CONNECTOR complete of PVC 105°C shielded cable, Ø 5.2mm with 6 tinned Ø 0.25mm<sup>2</sup> conductors, length 5m.*

*\*Connected to the body of the transducer.*

Transducer	OUTPUT	CABLE	M12 CONNECTOR									
	EXCITATION+ SENSE+ OUTPUT+ EXCITATION - SENSE- OUTPUT- -----	<i>Red</i> <i>Orange</i> <i>White</i> <i>Black</i> <i>Blue</i> <i>Yellow</i> <i>Shield*</i>	<table border="1" style="border-collapse: collapse;"> <tr> <td style="text-align: center;">1</td> <td rowspan="8" style="text-align: center;">                       Front view male receptacle.                 </td> </tr> <tr> <td style="text-align: center;">5</td> </tr> <tr> <td style="text-align: center;">3</td> </tr> <tr> <td style="text-align: center;">2</td> </tr> <tr> <td style="text-align: center;">6</td> </tr> <tr> <td style="text-align: center;">4</td> </tr> <tr> <td style="text-align: center;">8</td> </tr> <tr> <td style="text-align: center;">8</td> </tr> </table>	1	 Front view male receptacle.	5	3	2	6	4	8	8
1	 Front view male receptacle.											
5												
3												
2												
6												
4												
8												
8												

## Configurazioni tipiche

## *Typical configuration*



# AEP transducers



Dasa-Rägister  
EN ISO 9001:2015  
IQ-1100-01



LAT N° 093  
**Calibration Centre**  
The products are NOT covered by accreditation



**Production Quality Assurance Certified n°**  
TÜV CY 17 ATEX 0205891 Q

41126 Cognento (MODENA) Italy Via Bottego 33/A Tel: +39-(0)59-346441 Fax: +39-(0)59-346437 E-mail: aep@aep.it

Al fine di migliorare le prestazioni tecniche del prodotto, la società si riserva di apportare variazioni senza preavviso.  
In order to improve the technical performances of the product, the company reserves the right to make any change without notice.