



# FS6-250 SPECIFICATIONS

The FS6 is a versatile force transducer, offering accurate measurement of forces and moments in a compact sensor design. The body of the load cell is manufactured from a high-strength aluminum alloy with a durable anodized finish. Both its top and bottom surfaces are equipped with threaded holes: attachment points.



Units:  Capacity:

<b>Dimensions(LxDia.)</b>	63.5 x 37.85 mm		
<b>Weight</b>	0.1 Kg.	<b>Sensing elements</b>	Strain gage bridge
<b>Channels</b>	Fx, Fy, Fz, Mx, My, Mz	<b>Amplifier</b>	Required
<b>Body Material</b>	Aluminum	<b>Analog outputs</b>	Six channels
<b>Temperature range</b>	-17.78 to 51.67°C	<b>Digital outputs</b>	None
<b>Excitation</b>	10V maximum	<b>Crosstalk</b>	< 2% on all channels
<b>Fx, Fy, Fz hysteresis</b>	± 0.2% full scale output	<b>Fx, Fy, Fz non-linearity</b>	± 0.2% full scale output

Channel	Fx	Fy	Fz	Units	Mx	My	Mz	Units
Capacity	556	556	1112	N	28	28	14	N-m
Sensitivity	2.16	2.16	0.54	µv/v-N	106.3	106.3	85.06	µv/v-N-m
Natural frequency	-	-	-	Hz	-	-	-	Hz
Stiffness (X 105)	52.58	52.58	745	N/m	-	-	0.0564	N-m/rad

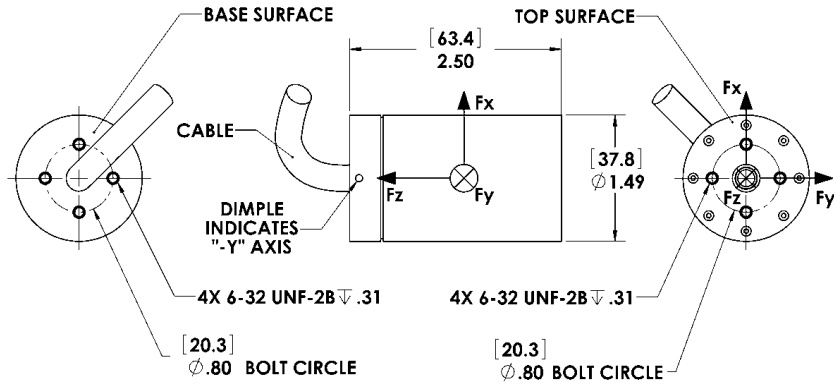
Resolution *To determine the resolution of your system, please use our [Output Calculator](#).*

Published specifications subject to change without notice.

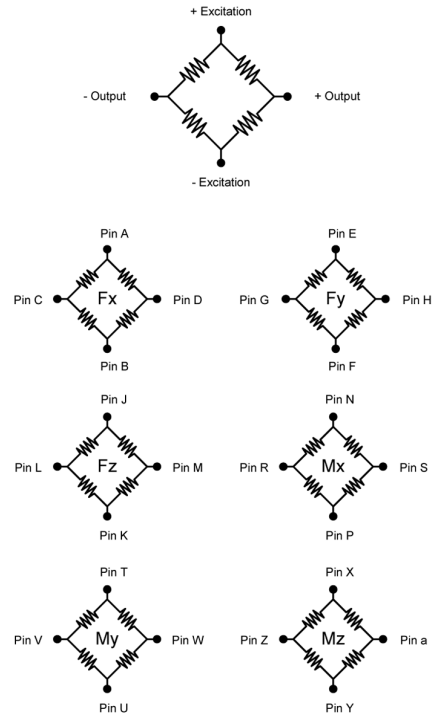
Last modified:2016-08-23

# TECHNICAL DRAWINGS

## Footprint Drawing



## Electrical Drawing



Bridge Fz = 700 ohms  
 Bridges Fx; Fy; Mx; My; Mz = 350 ohms  
**Connector Type:**  
 Souriau 851-02E16-26P50-44

© Advanced Mechanical Technology, Inc.  
 176 Waltham Street, Watertown, MA 02472-4800 USA  
 1-617-926-6700