



FS6-500 SPECIFICATIONS

The FS6 is a versatile force transducer, offering accurate measurement of forces and moments in a compact sensor design. The body of the load cell is manufactured from a high-strength aluminum alloy with a durable anodized finish. Both its top and bottom surfaces are equipped with threaded holes: attachment points.



Units: Capacity:

Dimensions(LxDia.)	63.5 x 37.85 mm		
Weight	0.1 Kg.	Sensing elements	Strain gage bridge
Channels	Fx, Fy, Fz, Mx, My, Mz	Amplifier	Required
Body Material	Aluminum	Analog outputs	Six channels
Temperature range	-17.78 to 51.67°C	Digital outputs	None
Excitation	10V maximum	Crosstalk	< 2% on all channels
Fx, Fy, Fz hysteresis	± 0.2% full scale output	Fx, Fy, Fz non-linearity	± 0.2% full scale output

Channel	Fx	Fy	Fz	Units	Mx	My	Mz	Units
Capacity	1112	1112	2223	N	56	56	28	N-m
Sensitivity	1.08	1.08	0.27	µV/V-N	53.16	53.16	42.53	µV/V-N-m
Natural frequency	-	-	-	Hz	-	-	-	Hz
Stiffness (X 105)	105.2	105.2	1490	N/m	-	-	0.113	N-m/rad

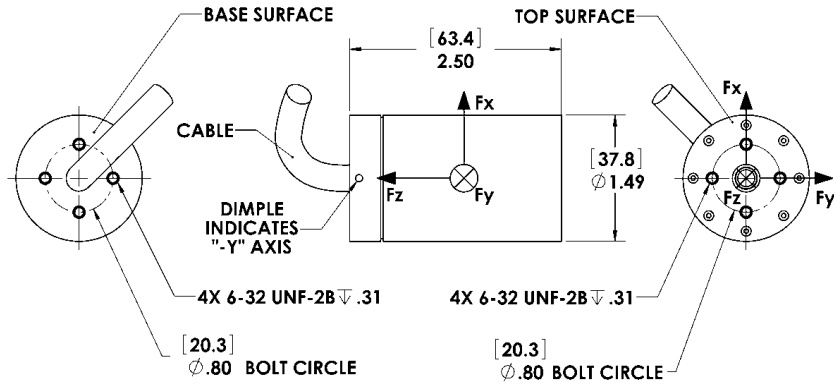
Resolution *To determine the resolution of your system, please use our [Output Calculator](#).*

Published specifications subject to change without notice.

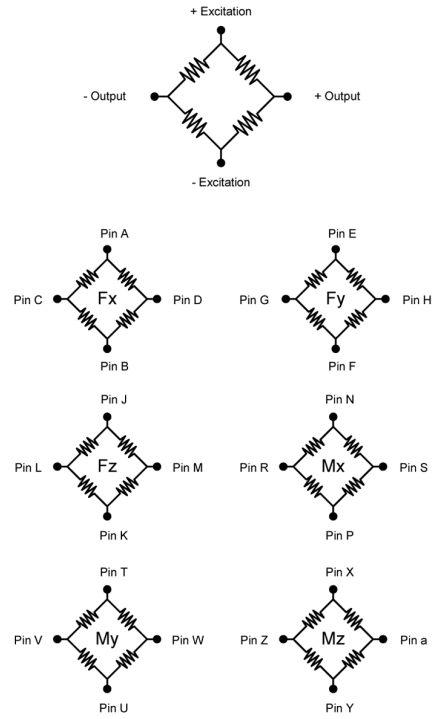
Last modified:2016-08-23

TECHNICAL DRAWINGS

Footprint Drawing



Electrical Drawing



Bridge Fz = 700 ohms
 Bridges Fx; Fy; Mx; My; Mz = 350 ohms
Connector Type:
 Souriau 851-02E16-26P50-44

© Advanced Mechanical Technology, Inc.
 176 Waltham Street, Watertown, MA 02472-4800 USA
 1-617-926-6700