



MC3A-1000 SPECIFICATIONS

The MC3A is a compact, six-axis transducer with threaded inserts on its top surface and through holes on its bottom surface that act as attachment points. The body of the load cell is manufactured from a high-strength aluminum alloy with an anodized finish to protect the exterior from corrosion. Elastomeric O-ring seals provide internal protection of the strain gages and wiring from industrial environments and moisture exposure. A [waterproof version SF3](#) is available for use in tow tanks, ocean engineering, and other underwater applications.



Units: Capacity:

Dimensions (WxLxH)	76 x 76 x 76.2 mm		
Weight	0.909 Kg.	Sensing elements	Strain gage bridge
Channels	Fx, Fy, Fz, Mx, My, Mz	Amplifier	Required
Body Material	Aluminum	Analog outputs	6 Channels
Temperature range	-17.78 to 51.67°C	Digital outputs	None
Excitation	10V maximum	Crosstalk	< 2% on all channels
Fx, Fy, Fz hysteresis	± 0.2% full scale output	Fx, Fy, Fz non-linearity	± 0.2% full scale output

Channel	Fx	Fy	Fz	Units	Mx	My	Mz	Units
Capacity	2223	2223	4446	N	113	113	56	N-m
Sensitivity	0.54	0.54	0.135	µv/v-N	26.58	26.58	21.26	µv/v-N-m
Natural frequency	-	-	-	Hz	1000	1000	-	Hz
Stiffness (X 105)	210	210	2979	N/m	-	-	0.226	N-m/rad

Resolution *To determine the resolution of your system, please use our [Output Calculator](#).*

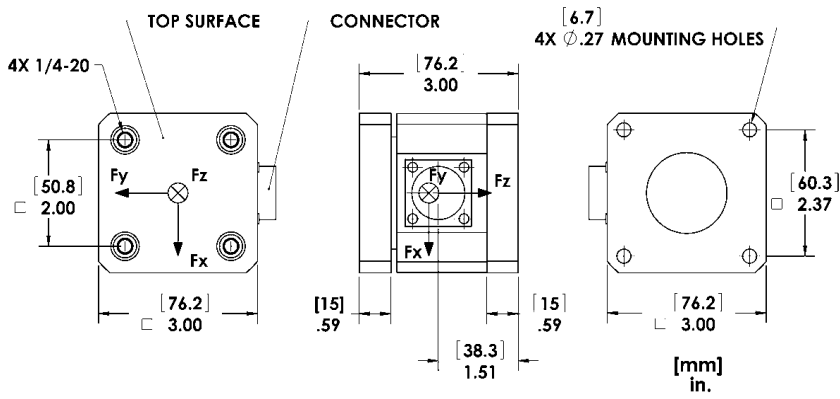
Notes: The listed natural frequency is the lowest natural frequency for the force sensor and will dominate.

Published specifications subject to change without notice.

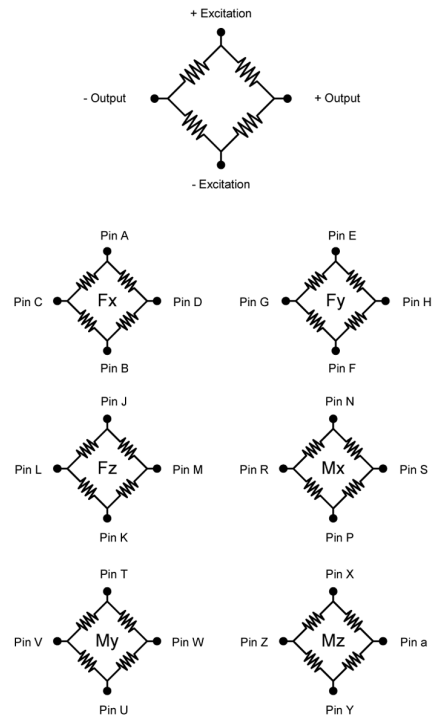
Last modified:2016-08-23

TECHNICAL DRAWINGS

Footprint Drawing



Electrical Drawing



Bridge Fz = 700 ohms
 Bridges Fx; Fy; Mx; My; Mz = 350 ohms
Connector Type:
 Souriau 851-02E16-26P50-44

© Advanced Mechanical Technology, Inc.
 176 Waltham Street, Watertown, MA 02472-4800 USA
 1-617-926-6700