

## SF3-100 SPECIFICATIONS

AMTI's SF3, formerly designated the MC3-SSUDW, is a six-component force sensor that features a stainless steel body and an oil-filled pressure compensation bladder to enable short-term (<24 hours) continuous submersion in fresh water. The pressure compensation bladder allows operation underwater with minimal output on the force and moment channels due to water pressure.



Units:  Capacity:

<b>Dimensions (WxLxH)</b>	76 x 76 x 76.2 mm		
<b>Weight</b>	1.97 Kg.	<b>Sensing elements</b>	Strain gage bridge
<b>Channels</b>	Fx, Fy, Fz, Mx, My, Mz	<b>Amplifier</b>	Required
<b>Body Material</b>	Stainless Steel	<b>Analog outputs</b>	6 Channels
<b>Temperature range</b>	-17.78 to 51.67°C	<b>Digital outputs</b>	None
<b>Excitation</b>	10V maximum	<b>Crosstalk</b>	< 2% on all channels
<b>Fx, Fy, Fz hysteresis</b>	± 0.2% full scale output	<b>Fx, Fy, Fz non-linearity</b>	± 0.2% full scale output

Channel	Fx	Fy	Fz	Units	Mx	My	Mz	Units
Capacity	222	222	445	N	11	11	5.6	N-m
Sensitivity	5.4	5.4	1.35	µv/v-N	266	266	213	µv/v-N-m
Natural frequency	-	-	-	Hz	-	-	-	Hz
Stiffness (X 105)	21.04	21.04	298	N/m	-	-	0.0226	N-m/rad

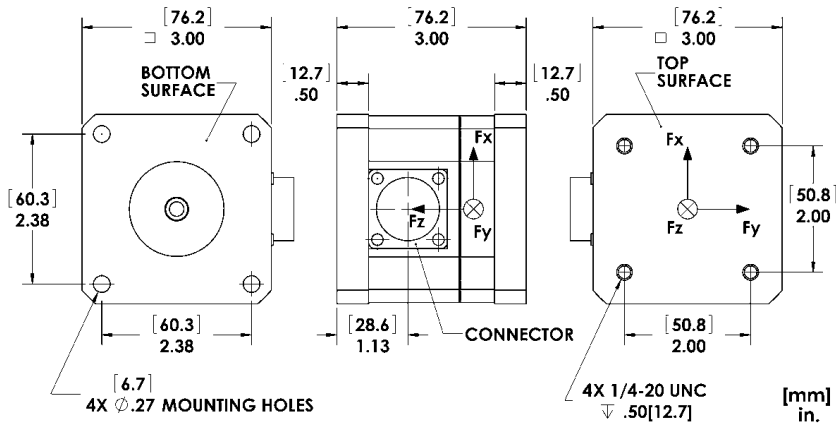
Resolution *To determine the resolution of your system, please use our [Output Calculator](#).*

Published specifications subject to change without notice.

Last modified:2016-08-23

## TECHNICAL DRAWINGS

### Footprint Drawing



### Electrical Drawing

No electrical schematic currently in the database

© Advanced Mechanical Technology, Inc.

176 Waltham Street, Watertown, MA 02472-4800 USA

1-617-926-6700