

Force Transducer KAM-R

Special Features

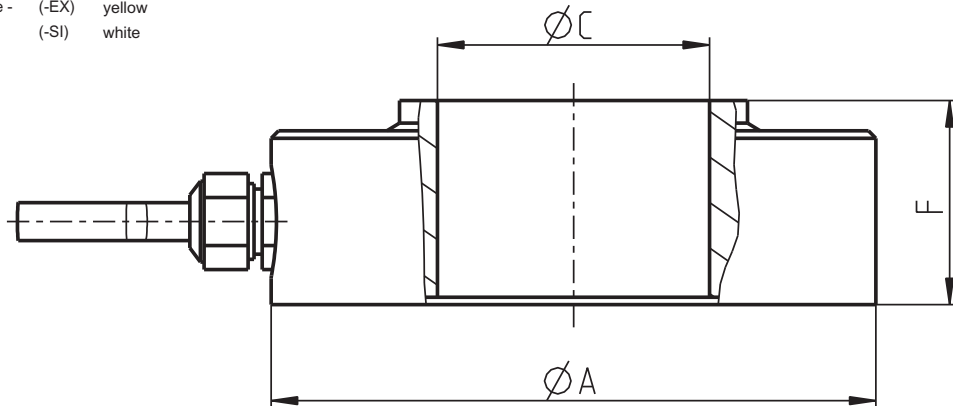
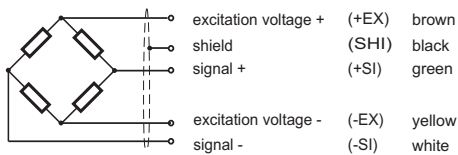
- 500N to 35kN
- Small Dimensions
- Made of stainless steel
- Good reproducibility
- Customized dimensions possible



Dimensions

Wiring code

Cable length 3,0 m



Type number	Rated load	A	C	F
3573570	KAM-R 500N	60	12	15
3573569	KAM-R 1kN	60	12	15
3571443	KAM-R 2kN	70	30	
3573748	KAM-R 5kN	60	20	28
3572465	KAM-R 10kN	80	36	27
3573217	KAM-R 20kN	69,7	36	25
3572616	KAM-R 30kN	80	36	27
3573588	KAM-R 35kN	100	40,1	27

Force Transducer KAM-R

Specifications

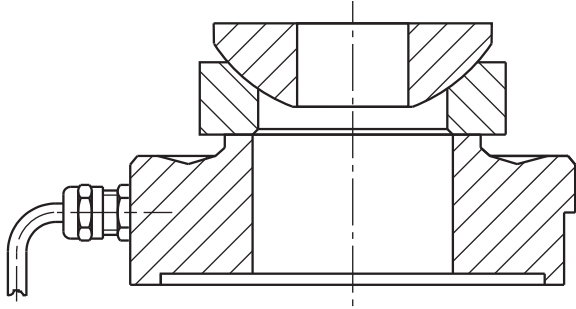
Accuracy class	% S	1
Rated load (=F _N)	kN	0,5 / 1 / 2 / 5 / 10 / 20 / 30 / 35
Safe overload	%F _N	150
Ultimate overload	%F _N	>300
Safe side load	%F _N	20
Reference temperature	°C	23
Compensated temperature range	°C	-20 +60
Storage temperature range	°C	-30 +70
Environmental protection (EN 60529)		IP 42
Sensitivity (=S)	mV/V	ca. 1
Zero balance	%S	≤3
Max. excitation voltage	V	10
Input resistance	Ω	380±30
Output resistance	Ω	352±2
Insulation resistance	Ω	>5 10 ⁹
Combined error from nonlinearity and hysteresis	%S	1
Temperature effect on zero/10K	%S	≤0,5
Temperature effect on output/10K	%S	≤0,5
Creep in 30 minutes	%S	≤0,5

Type code / Order example

Type code
KAM-R / 10 kN / 1

Recommended special fittings

	Description
Pinned support	Thrust bearing



Thrust bearing

KAM-R