



INCREMENTAL ROTARY ENCODERS

Series E30

- Incremental rotary encoders with or without zero pulse
- Pulses per revolution: 2 to 12500
- Small size

MECHANICAL & ENVIRONMENTAL SPECIFICATIONS		ELECTRICAL & OPERATING SPECIFICATIONS	
• Dimensions	See the drawing	• Pulse code	Incremental
• Materials: case	ABS	• Pulses/revolution	2 ÷ 12500
• Materials: shaft	Steel AISI 303	• Zero pulse	One pulse/revolution
• Weight	70 g ca.	• Output signals	Two square waves 90° ±15° out of phase – Zero pulse width: 90°±15° push-pull, NPN open collector, 5Vdc or 8/24Vdc line driver signals protected against short circuits
• Shaft diameter	4 - 6 mm	• Electronic output	5Vdc or 8/24Vdc - protection against polarity reversal
• Revolutions/minute	6000	• Supply voltage	40 mA max
• Starting torque	≤0.2 Ncm	• Absorption	100/150 KHz
• Inertia	≤5 g cm ²	• Max. frequency	
• Max load	10N axial / 20N radial	• Connections	Axial or radial cable 1 m long
• Vibration resistance (10÷2000 Hz)	10 G		
• Shock resistance (11 ms)	30 G		
• Protection degree	IP54		
• Operating temperature	-10 ÷ 60°C		
• Stocking temperature	-20 ÷ 80°C		

ORDERING INFORMATION

E30	100	824	R	4	PP
TYPE E30 E31	PPR NO. 2 ÷ 12500	SUPPLY VOLTAGE 8/24 Vdc 5 Vdc	CABLE POSITION A axial R radial	SHAFT DIAMETER 6 mm 4 mm	ELECTRONIC OUTPUT PP Push-pull OC NPN Open Collector LD Line-driver

VARIATIONS ADMITTED WITHOUT NOTICE



ELAP VIA VITTORIO VENETO, 4 – I-20094 CORSICO (MI) – TEL. ++39.02.4519561
FAX ++39.02.45103406 E-MAIL: INFO@ELAP.IT URL: WWW.ELAP.IT

elap



CONNECTIONS

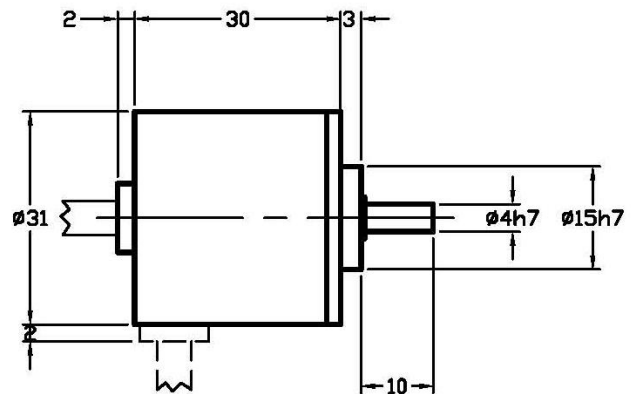
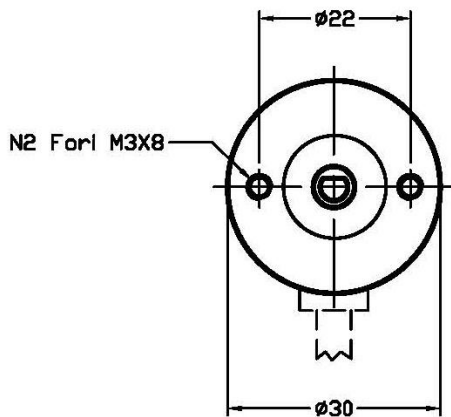
Push/Pull – NPN Open Collector Output

SIGNALS	Cable Colours
Out 1	White
Out 2	Green
Out Z(E31)	Yellow
+ Vdc	Red
0V	Blue
Earth	Shield

Line Driver Output

SIGNALS	Cable Colours
Out 1	White
Out 2	Green
Out Z (E31)	Grey
+ Vdc	Red
0V	Blue
Out 1 ⁻	Brown
Out 2 ⁻	Yellow
Out Z ⁻	Pink
Earth	Shield

DIMENSIONS



elap

ELAP VIA VITTORIO VENETO, 4 – I-20094 CORSICO (MI) – TEL. ++39.02.4519561
 FAX ++39.02.45103406 E-MAIL: INFO@ELAP.IT URL: WWW.ELAP.IT