

Wire Rope Overload Guard KSW-2R

Special Features

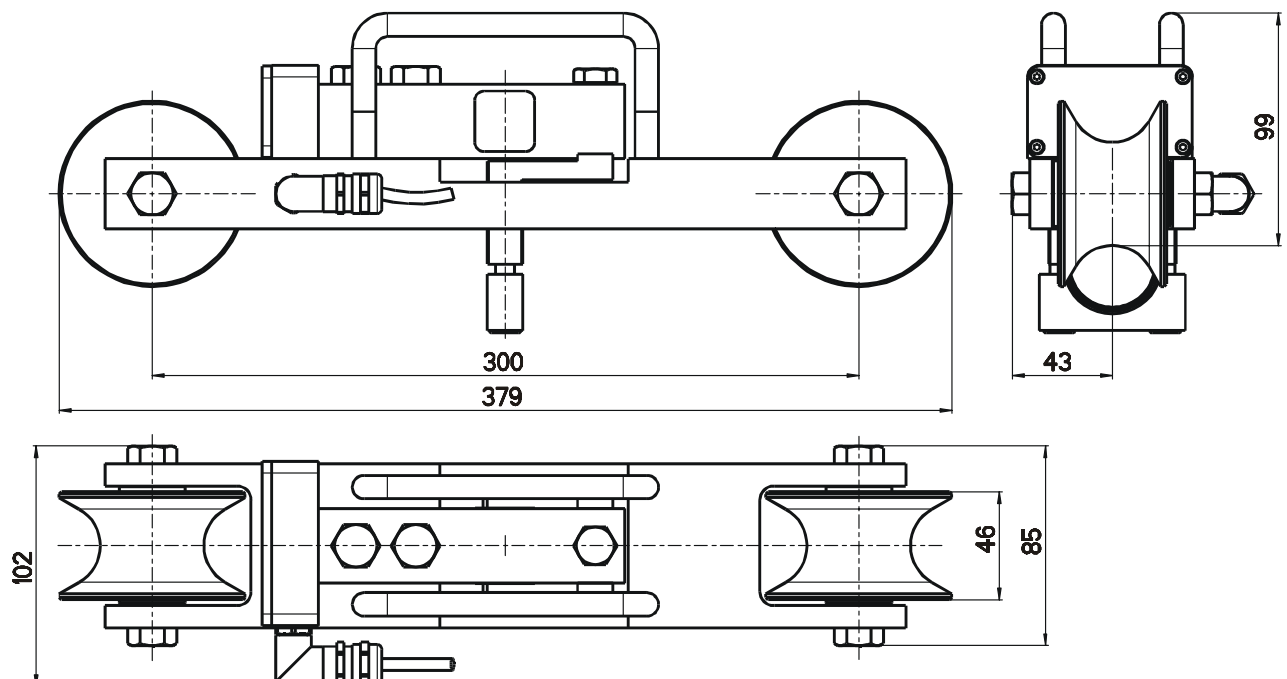
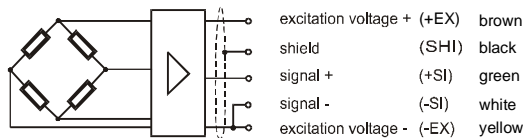
- Sensor for measuring of loads at wire ropes (Ø 16-36mm)
- Qualified for rope loads from 80kN to 160kN
- Environmental Protection IP65
- Standard signal output 4 – 20mA



Dimensions

Wiring code

Cable length 3 m



Specification

Accuracy class		0.2-5 % (depending on wire rope properties)
Accuracy of used load cell		0.1%
Rated load (rope tension)	kN	80 / 120 / 160
Rope diameter	mm	16-20 / 20-24 / 24-28 / 28-32 / 32-36
Reference temperature	°C	23
Compensated temperature range	°C	-20 ... +70
Storage temperature range	°C	-40 ... +70
Supply voltage	VDC	10 ... 30
Power consumption	mA	35
Signal output	mA	4 ... 20
Max. burden	Ω	300
Environmental protection		IP65
Weight	kg	7,5

Mounting instructions

1. Make sure the rope is free of load.
2. Apply transducer to the rope and clamp the rope in the centre in a way that the rope cannot move along the sensor. Do not deformed the rope too much.
3. Connect the cables.
4. Apply max. load for several times and check the clamping afterwards. re-tighten if necessary.
5. Calibrate the system if necessary.

Type code / Order example

KSW-2R/120kN/D16-20/4-20mA

Options

	Type code	Description
Cable	XKC 042	Cable extension
Switch	GS-I2	Switching limit switch