

Wire Rope Overload Guard KSW

Special Features

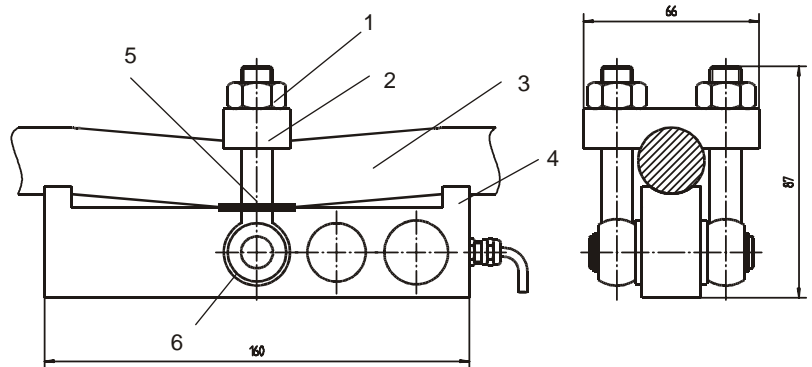
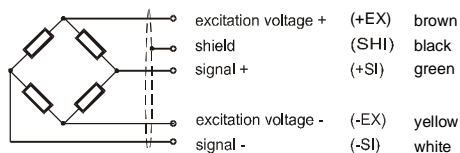
- Sensor for measuring of loads at wire ropes (Ø 6- 22mm)
- Qualified for rope loads from 20kN to 70kN
- Hardened rope support
- Environmental protection IP65
- Option: amplifier within the force transducer



Dimensions

Wiring code

Cable length 3 m



- 1 Self-locking nut, width across flat 17
- 2 Clamping yoke
- 3 Rope
- 4 Support
- 5 Shim
- 6 Eye bolt

Max. rope load – not binding guiding values (measured with test rope Ø 14mm) :

Rope load / kN	40	50	57	66
Thickness of shim / mm	0	1	1,2	2

Specifications

Accuracy class		3 %
Checked measuring force	kN	8
is equivalent to rated load (wire rope)	kN	approx. 40
Rope diameter	mm	6-22
Reference temperature	°C	23
Compensated temperature range	°C	-20 ... +70
Operating temperature range	°C	-30 ... +70
Storage temperature range	°C	-40 ... +70
Temperature effect on zero/10K	%	+/- 0,3
Temperature effect on output/10K	%	+/- 0,5
Permissible Excitation voltage	VDC	10V
Nominal output signal	mV/V	approx. 2 ¹⁾
Input resistance	Ω	380±30
Output resistance	Ω	352±1,5
Environmental protection		IP65

1) Checked with rope diameter 14mm without shims

Type code / Order example

KSW / 40kN

Accessories (included in delivery)

	Description
1 piece	Clamping yoke
2 piece	Shim 0,5 mm thick
2 piece	Shim 1,5 mm thick