

Model 8042 Submersible Accelerometer

Submersible IEPE Accelerometer
16kHz Bandwidth
IP68 Protection, >100meters
Integral Cable, Tefzel & Urethane



The Model 8042-01 is a submersible IEPE accelerometer designed for harsh environments. The accelerometer is available in $\pm 10g$, $\pm 80g$ & $\pm 500g$ dynamic ranges and feature a welded Titanium housing. The model 8042-01 features an integral cable that is custom designed for submersible applications and features a unique water block feature that self-seals in the event of accidental cuts to the cable. The accelerometer includes internal shielding and a wide usable bandwidth to >16kHz.

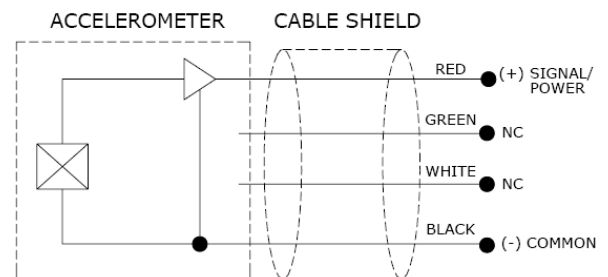
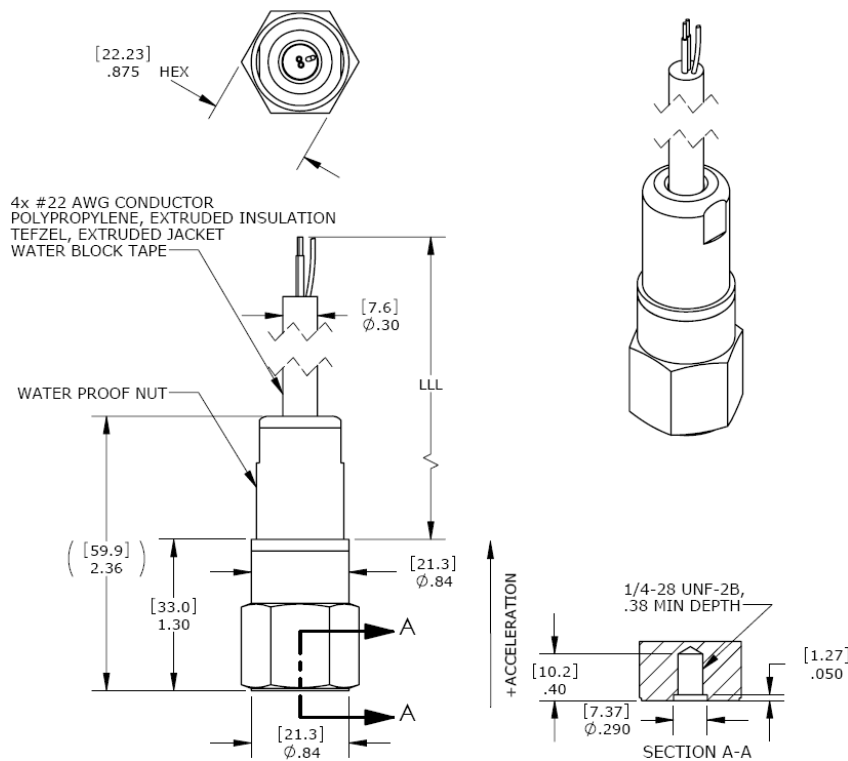
FEATURES

- $\pm 10g$, $\pm 80g$ & $\pm 500g$ Dynamic Ranges
- Wide bandwidth up to 16kHz
- Case Isolated, Internally Shielded
- Welded Titanium
- Annular Shear Mode Crystals
- Reverse Wiring Protection

APPLICATIONS

- Submersible Pumps
- Rotating Machinery Monitoring
- Underwater Vibration Monitoring
- Outdoor, Harsh Environments
- Gearbox Monitoring
- Shipboard Installations

dimensions



Model 8042 Submersible Accelerometer

performance specifications

All values are typical at +24°C, 100Hz and 4mA excitation unless otherwise stated. Measurement Specialties reserves the right to update and change these specifications without notice. Standard product parameters are described in PSC-1003 for Plug & Play AC Accelerometers.

Parameters

DYNAMIC

	±10	±80	±500	Notes
Range (g)	±10	±80	±500	
Sensitivity (mV/g)	500	100	10	±10%
Frequency Response (Hz)	1-4000	1-10000	1-10000	±10%
Frequency Response (Hz)	0.5-7000	0.5-16000	0.5-18000	±3dB
Natural Frequency (Hz)	28000	32000	42000	
Non-Linearity (%FSO)	±1	±1	±1	
Transverse Sensitivity (%)	<5	<5	<5	
Shock Limit (g)	5000	5000	5000	

ELECTRICAL

Compliance Voltage (Vdc)	18 to 30	18 to 30	18 to 30	See Note 1
Excitation Current (mA)	2 to 10	2 to 10	2 to 10	
Bias Voltage (Vdc)	8 to 12	8 to 12	8 to 12	Room Temperature
Output Impedance (Ω)	<100	<100	<100	
Insulation Resistance (MΩ)	>100	>100	>100	@ 100Vdc
Residual Noise (g RMS)	0.00005	0.0001	0.0003	
Warm-up Time (sec)	<1	<1	<1	
Grounding	Case Isolated, Internally Shielded			

ENVIRONMENTAL

Temperature Response (%)	±5
Operating Temperature (°C)	-20 to +80 for T (Tefzel) option cable -20 to +60 for U (Urethane) option cable
Protection Rating	IP68, 100meter minimum submersion

PHYSICAL

Sensing Element	Ceramic (shear mode)
Case Material	Titanium
Weight (grams)	70
Mounting Torque	24 lb-in (2.7 N-m)

¹ For full dynamic range a minimum compliance voltage of 24Vdc is recommended

² Contact factory for Hazardous Area Approval options

Calibration supplied:	CS-FREQ-0100	NIST Traceable Amplitude Calibration from 20Hz to ±10% Frequency Response Limit
Supplied accessories:	AC-A03663	¼-28 to ¼-28 mounting stud
Optional accessories:	316-XXX	Cable Assembly, Straight (XXX designates length in inches, 10ft standard)
	318-XXX	Cable Assembly, 90 Degrees (XXX designates length in inches, 10ft standard)
	AC-D03664	¼-28 to M5 mounting stud
	AC-D03665	¼-28 to M6 mounting stud
	AC-A04209	Magnetic Mounting Adaptor
	AC-D04210	Adhesive Mounting Adaptor

The information in this sheet has been carefully reviewed and is believed to be accurate; however, no responsibility is assumed for inaccuracies. Furthermore, this information does not convey to the purchaser of such devices any license under the patent rights to the manufacturer. Measurement Specialties, Inc. reserves the right to make changes without further notice to any product herein. Measurement Specialties, Inc. makes no warranty, representation or guarantee regarding the suitability of its product for any particular purpose, nor does Measurement Specialties, Inc. assume any liability arising out of the application or use of any product or circuit and specifically disclaims any and all liability, including without limitation consequential or incidental damages. Typical parameters can and do vary in different applications. All operating parameters must be validated for each customer application by customer's technical experts. Measurement Specialties, Inc. does not convey any license under its patent rights nor the rights of others.

Model 8042 Submersible Accelerometer

ordering info

PART NUMBERING Model Number+Range+Cable Option+Cable Length

8042-01-GGG-TZZZZ

| | | Cable Length (0360 is 360 inches)
| | Cable Jacket Option (T is Tefzel, U is Urethane)
| Range (080 is 80g)

Example: 8042-01-080-U0360

Model 8042-01, 80g Range, Urethane Cable, 360 inch (30ft) Cable Length

contact info

NORTH AMERICA

Measurement Specialties, Inc.
1000 Lucas Way
Hampton, VA 23666
USA
Tel: +1-800-745-8008 or
+1-757-766-1500
Fax: +1-757-766-4297
Sales: pvg.cs.amer@meas-spec.com

EUROPE

Measurement Specialties (Europe), Ltd.
26 Rue des Dames
F78340 Les Clayes-sous-Bois
France
Tel: +33 (0) 130 79 33 00
Fax: +33(0) 134 81 03 59
Sales: pfg.cs.emea@meas-spec.com

ASIA

Measurement Specialties (China), Ltd.
No. 26 Langshan Road
Shenzhen High-Tech Park (North)
Nanshan District, Shenzhen 518057
China
Tel: +86 755 3330 5088
Fax: +86 755 3330 5099
Sales: pfg.cs.asia@meas-spec.com