

EPRB-3 Pressure Transducer



- Pressure transducer with platinum RTD
- Miniature design (body \varnothing 12 mm)
- Any liquid or gas media compatible with stainless steel
- Operating temperature up to 150 °C (300 °F)
- Rugged for severe environment
- CE approved

DESCRIPTION

Ultra miniature pressure transducer with platinum RTD to sense media temperature, 100% stainless steel welded construction with amplified output, designed for severe environment where minimum size and weight are required.

FEATURES

- Pressure + temperature measurement
- Liquid and gas media compatible with SS
- Pressure port M8x1 or 5/16-24 UNF
- Operating temperature up to 150°C (300°F)

APPLICATIONS

- Motorsports
- Downhole Exploration
- Hydraulic Pressures
- Transportation

STANDARD RANGES

Pressure ranges		Pressure Reference abs. (type3)	Pressure Overload (rated pressure)	Burst Pressure (rated pressure)
(BAR)	(PSI)			
3.5	50	•	2 x FS	3 x FS
6	100	•	2 x FS	3 x FS
10	150	•	2 x FS	3 x FS
20	300	•	2 x FS	3 x FS
35	500	•	2 x FS	3 x FS
60	1K	•	2 x FS	3 x FS
100	1.5K	•	2 x FS	3 x FS
200	3K	•	2 x FS	3 x FS
350	5K	•	2 x FS	3 x FS
700	10K	•	1.5 x FS	2 x FS

EPRB-3 Pressure Transducer

PERFORMANCE SPECIFICATIONS

All values are typical at 20±1 °C

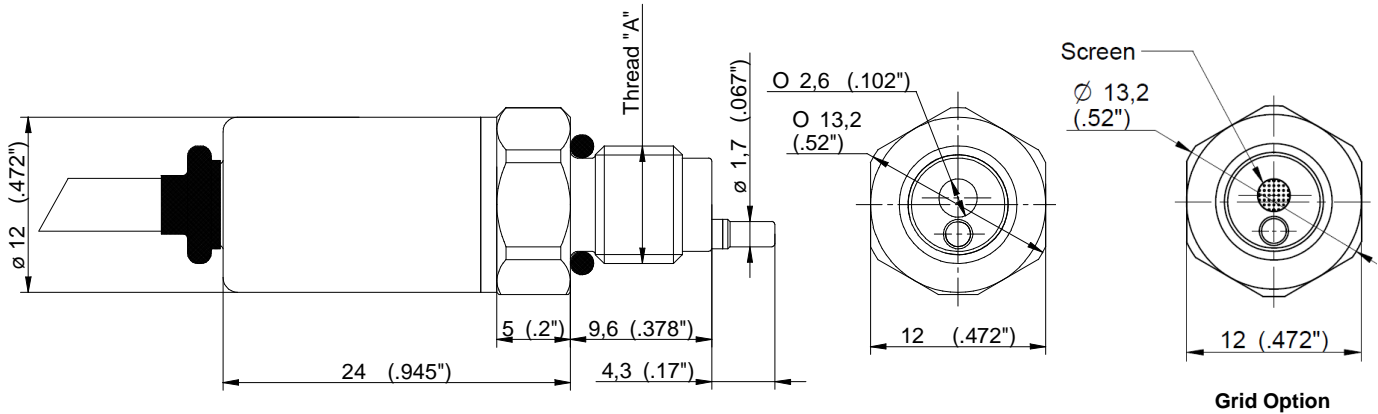
PARAMETERS	VALUES	NOTES
Supply Voltage	Version U: 8 to 32Vdc ; Version R: 5 Vdc reg.	
Max Current	< 8 mA	
Non-Repeatability	±0.05% FSO typ.	
CNL & H	± 0.25% FSO	
Long term stability	Offset = 0.1%span/year ; Span = 0.1%/year	
Bandwidth (-3 dB)	400 Hz	
Thermal Zero Shift "TZS"	± 1%FSO /100° C (±2% FSO/100°C for ranges ≤ 10 bar or 150 psi)	
Thermal Sensitivity Shift "TSS"	± 1% /100°C (±1.5% /100°C for ranges ≤ 10 bar or 150 psi)	
Operating Temperature	-40°C to 150°C	
Compensated Temperature	0°C to 100°C	See option table for other Temperature
Output "FSO"	0.5 to 4.5V = 4V ± 50mV	
Zero Offset at 23°C	0.5V ± 50mV (0.5V ±100mV for ranges ≤ 10 bar or 150 psi)	
Vibration	2g (10Hz to 60Hz) and 20g (60Hz to 1 KHz)	
Shock (1/2 sine)	50g (11 ms) and 200g (6 ms)	
Weight (without cable)	15 g + 23 g per meter of cable	
Temperature sensor RTD	1000 ohms Platinum DIN EN 60751	63% response time : 3 seconds max.
Ingress Protection	IP66	

CE compliance

- EN55022 Emissions Class A & B
- IEC61000-4-2 Electrostatic Discharge Immunity (1kV contact)
- IEC61000-4-3 EM Field Immunity (3V/m)
- IEC61000-4-4 Electrical Fast Transient Immunity (1kV)

EPRB-3 Pressure Transducer

DIMENSIONS

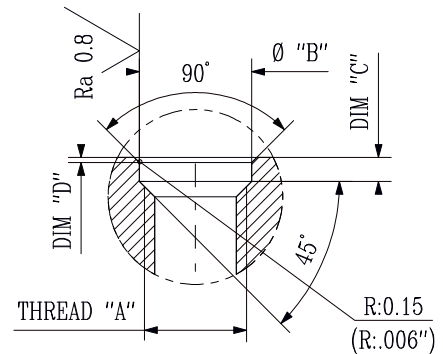


PHYSICAL (SEE BLOCK DIAGRAM)			
MODEL	THREAD "A"	O-RING SUPPLIED	INSTALLATION TORQUE (MAX.)
S	M8X1	$\varnothing 6.35 \times 1.6$ FKM Fluoroelastomer	2.5 Nm (5 Nm max.)
Q	5/16-24 UNF-2A	$\varnothing 6.35 \times 1.6$ FKM Fluoroelastomer	2.5 Nm (5 Nm max.)

INSTALLATION & CONNECTION

RECOMMENDED MOUNTED PORT			
Thread "A"	Dim. "B"	Dim. "C"	Dim. "D"
M8x1	8.8 mm	1.9 mm	0.4 mm
5/16-24 UNF-2A	0.35"	0.075"	0.015"

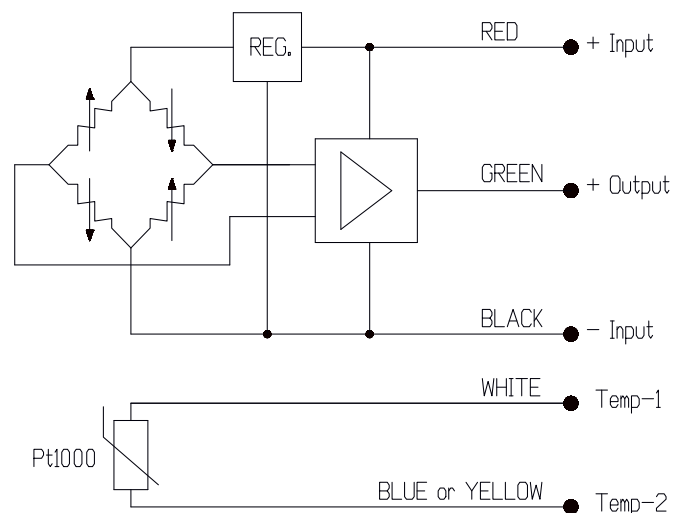
Tolerances on dimensions = ± 0.05 mm (0.002")



WIRING:

Standard: 1 meter of unshielded cable 5 x AWG26

Option **SC00M**: shielded cable 5 x AWG24
(Replace "00" with total length in meter)



EPRB-3 Pressure Transducer

OPTIONS & ACCESSORIES

OPTIONS	CODES	DESCRIPTIONS
Compensated Temperature Ranges	Z1 Z35	-20°C to 40°C +20°C to 120°C
Shielded cable	SC00M	Replace "00" with total length in meters (SC1M ; SC3M ; SC5M...)
Grid	GR	Screen version (see dimension page 2)
Acceptance Test Report	ATR	ATR for a complete Acceptance Test Report provided with transducer

ORDERING INFORMATION

Model	-	Pressure Port	Supply Voltage	Output Signal	Pres. Ref.	-	Range/Unit	-	Options
EPRB-3	-	S = M8x1 Q = 5/16-24 UNF	U = 8 to 32 VDC R = 5 VDC reg.	3 = 0.5 to 4.5 V	3 = Absolute	-	3.5B 6B 10B 20B 35B 60B 100B 200B 350B 700B	50P 100P 150P 300P 500P 1KP 1.5KP 3KP 5KP 10KP	- /Z1 /Z35 /SC00M /GR /ATR

Example : **EPRB-3-QU33-500P-/Z1/SC3M**

The **psi** range models are only supplied with imperial thread design.

The **bar** range models are only supplied with metric thread design.

NORTH AMERICA

Measurement Specialties, Inc.
Vibration Design Center
32 Journey - Suite 150
Aliso Viejo, CA 92656
United States USA
Tel: 1-949-716-0877
Fax: 1-949-916-5677
t&m@meas-spec.com

EUROPE

Measurement Specialties
(Europe), Ltd.
26 Rue des Dames
78340 Les Clayes-Sous-Bois,
France
Tel: +33 (0) 130 79 33 00
Fax: +33 (0) 134 81 03 59
cs.lcsb@meas-spec.com

ASIA

Measurement Specialties
(China), Ltd.
No. 26 Langshan Road
Shenzhen High-Tech Park (North)
Nanshan District, Shenzhen
518057
China
Tel: +86 755 3330 5088
Fax: +86 755 3330 5099
pfg.cs.asia@meas-spec.com

The information in this sheet has been carefully reviewed and is believed to be accurate; however, no responsibility is assumed for inaccuracies. Furthermore, this information does not convey to the purchaser of such devices any license under the patent rights to the manufacturer. Measurement Specialties, Inc. reserves the right to make changes without further notice to any product herein. Measurement Specialties, Inc. makes no warranty, representation or guarantee regarding the suitability of its product for any particular purpose, nor does Measurement Specialties, Inc. assume any liability arising out of the application or use of any product or circuit and specifically disclaims any and all liability, including without limitation consequential or incidental damages. Typical parameters can and do vary in different applications. All operating parameters must be validated for each customer application by customer's technical experts. Measurement Specialties, Inc. does not convey any license under its patent rights nor the rights of others.