

PI-4

Pitot assembly Tube + pressure sensor

Range	12.5 to 76 mBars 0.18 to 1.10 Psi
Accuracy	± 0.25 % FS
Sensitivity	See calibration table
Gravity sensitivity	1 mV/g
Cut off frequency	200 Hz
Offset	0.5 +/- 0.1 V

Supply voltage	5 to 16V
Supply current	2 mA
Output voltage	0 – 5 V
Output Impedance	47 Ω

Offset drift (20 to 80°C)	20 mV
Sensitivity drift (20 to 80°C)	1 %

Dimension	24x22x14.5 mm Tube ø4mm 100x66 mm
Material	Aluminium + stainless steel tube
Weight	45 g

Vibration test	20 Gpp 5'
Shock	500 G

Operating temp	0 to +85 °C
Storage temp	-20 to +125 °C

1 m cable of 3X26AWG FEP
tinned copper braided cable 250V 200°C

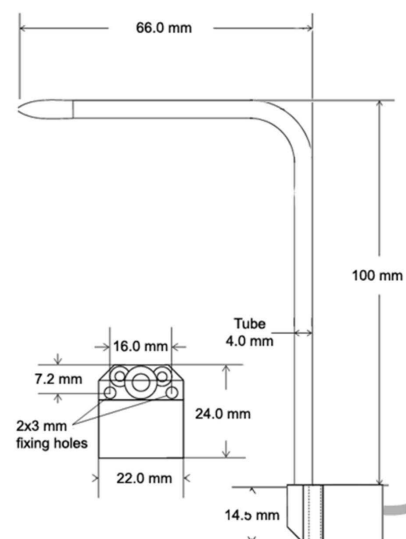
Ordering ref ex: PI-4-70
PI - 4 - Range mB

12,5
25
50
70
76

Red	Supply
White	Signal
Blue (or Black)	0 V
Braid	Connected to case

Max Air speed at 25°C ambient temperature and 1000 HPa atmospheric pressure				
12,5mB	25mB	50mB	70mB	76mB
166 km/h	235 km/h	330 km/h	394 km/h	410 km/h

Calibration table			
12.5 mB 0,18 Psi	0°5 @ 0	4°5 @ 125mmH ₂ O	32 mV/mmH ₂ O
25 mB 0,36 Psi	0°5 @ 0	4°5 @ 250mmH ₂ O	16 mV/mmH ₂ O
50 mB 0,72 Psi	0°5 @ 0	4°5 @ 500mmH ₂ O	8 mV/mmH ₂ O
70 mB 1,01 Psi	0°5 @ 0	4°5 @ 700mmH ₂ O	5,7 mV/mmH ₂ O
76 mB 1,10 Psi	0°5 @ 0	4°5 @ 760mmH ₂ O	5,3 mV/mmH ₂ O



In the interest of continuous product improvement, we reserve the right to alter without prior notice the specific citations and features described in this document.

**TEXYS
INTERNATIONAL**
ZA des Chamonds
Rue Edouard Branly
58640 Varennes-Vauzelles
(FRANCE)
Tel. : +33 (0) 3 86 21 27 18
Fax : +33 (0) 3 86 21 24 49