



PI-6

Pitot assembly Tube + pressure sensor

Range 50 to 76 mBars
0.72 to 1.10 Psi

Accuracy $\pm 1\%$ FS

Sensitivity See calibration table

Gravity sensitivity 1 mV/g

Cut off frequency 200 Hz

Offset 0.5 +/- 0.1 V

Supply voltage 5 to 16V

Supply current 2 mA

Output voltage 0 – 5 V

Output impedance 47 Ω

Offset drift (20 to 80°C) 20 mV

Sensitivity drift (20 to 80°C) 1 %

Dimension 28x22x14.5 mm
Tube $\phi 6$ mm 130x100 mm

Material Aluminium + stainless steel tube

Weight 70 g

Vibration test 20 Gpp 5'

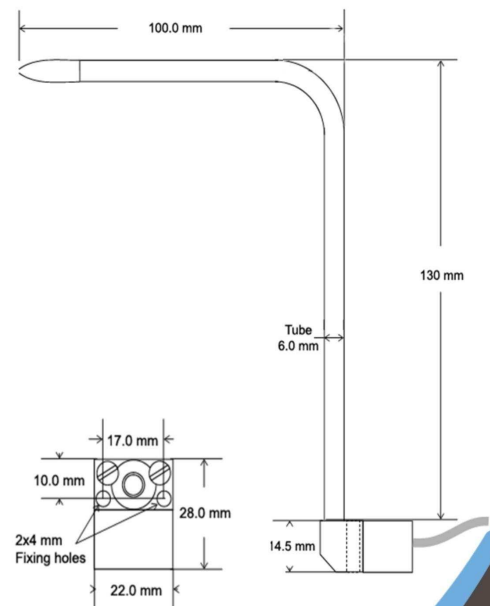
Shock 500 G

Operating temp 0 to +85 °C

Storage temp -20 to +125 °C

Max Air speed at 25°C ambient temperature and 1000 HPa atmospheric pressure		
50 mB	70mB	76mB
333 km/h	394 km/h	410 km/h

Calibration table			
50 mB 0.725 Psi	0°5 @ 0	4°5 @ 500mmH ₂ O	8 mV/mmH ₂ O
70 mB 1.01 Psi	0°5 @ 0	4°5 @ 700mmH ₂ O	5,7 mV/mmH ₂ O
76 mB 1.10 Psi	0°5 @ 0	4°5 @ 760mmH ₂ O	5,3 mV/mmH ₂ O



1 m cable of 3X26AWG FEP
tinned copper braided cable 250V 200°C

Ordering ref	ex: PI-6-70
PI - 6 - Range mB - Length mm*	
50	
70	
76	

*Option: PI-6 tube up to 300 mm

Red Supply
White Signal
Blue (or Black) 0 V
Braid Connected to case