



REV520



REV540



REV620

INCREMENTAL ROTARY ENCODERS

Series REV

- Incremental rotary encoders with or without zero pulse
- Pulses per revolution: 1000 to 50000
- Aluminium housing

VERSIONI MECCANICHE

REV520 <i>Synchro Flange</i>	REV540 <i>Clamping Flange</i>	REV620 <i>Square Flange</i>
Body Ø: 58 mm	Body Ø: 58 mm	Body Ø: 58 mm
Flange Ø: 58 mm	Flange Ø: 58 mm	Flange mm 63.5x63.5
Servo coupling	Centering mask Ø 36 mm	Centering mask Ø 31.75 mm
Centering mask Ø 50 mm	Shaft Ø 6, 8, 10 mm (standard 10 mm)	Shaft Ø 6, 8, 10 mm (standard 8/10 mm)
Shaft Ø 6, 8, 10 mm (standard 6 mm)		

MECHANICAL & ENVIRONMENTAL SPECIFICATIONS

• Materials: case shaft	Aluminium AISI 303 steel
• Weight	400 g circa
• Shaft Ø	6, 8, 10 mm
• Speed revolutions/minute	6000 continuos/10000 temporary*
• Starting torque	≤0,8 Ncm
• Inertia	≤25 g cm ²
• Max load	80 N axial/100 N radial
• Vibration resistance (10÷2000 Hz)	100 m/sec ²
• Shock resistace (11 ms)	50 G
• Protection degree	IP65 / optional IP66 with sealing ring*
• Operating temperature	-10 ÷ 70°C
• Stocking temperature	-20 ÷ 80°C

*Max operating speed with IP66 sealing ring applied on the shaft: 3000 rpm

ELECTRICAL & OPERATING SPECIFICATIONS

• Pulse code	Incremental
• Pulses per revolution	1000 to 50000 **
• Zero reference pulse	one pulse/revolution
• Output signals	Two square waves 90° ±15° out of phase – Zero pulse width: 90°±15°
• Electronic outputs	push-pull, TTL/HTL line driver signals protected against short circuits
• Supply voltage	5/28 Vdc protection against polarity reversal
• Absorption	30÷65 mA max 30 mA at 25 Vdc – 65 mA at 5 Vdc
• Max frequency	200/400 KHz
• Connections	Axial or radial cable 3 m long /1 m for line driver output Axial or radial MS connector, 7-pin/10-pin for line driver output

**Encoders with 40000/5000 ppr are supplied with Ø 10 mm shaft only



ELAP VIA VITTORIO VENETO, 4-I-20094 CORSICO (MI) • TEL. +39.02.4519561
FAX +39.02.45103406 • E-MAIL INFO@ELAP.IT • SITE WWW.ELAP.IT

CONNECTIONS

SIGNALS	Push Pull			SIGNALS	Line Driver			
	7-pin Connector	DIAGRAM 2	Cable colours		7-pin Connector	Cable colours	10-pin Connector	Cable colours
	DIAGRAM 1				DIAGRAM 3	without 0 pulse	DIAGRAM 4	with 0 pulse
Out 1	A	C	White	Out 1	A	White	A	White
Out 2	B	E	Green	Out 2	B	Green	B	Green
Out Z	C	D	Brown	Out Z			C	Grey
+ Vdc	D	F	Red	+ Vdc	D	Red	D	Red
0V	F	A	Blue	+ Vdc			E	Red
Non-connected	E	B		0V	F	Blue	F	Blue
Non-connected	G	G	Shield	Out 1	C	Brown	G	Brown
Earth				Out 2	E	Yellow	H	Yellow
				Out Z			I	Pink
				Non-connected	G		J	Shield

ORDERING INFORMATION

REV520 **C** **1000** **5/28** **R** **6** **PP** **2**

CONNECTION DIAGRAM
 1 - 2

OUTPUT SIGNALS
 PP Push-pull
 LD Line-driver 5/28 or 5Vdc

SHAFT Ø
 6 - 8 - 10 mm

CONNECTIONS POSITIONS
 A Axial
 R Radial

SUPPLY VOLTAGE
 5/28 Vdc

PPR
 314
 1000 ÷ 50000

CONNECTION OUTLET
 - Connector
 C Cable

UPGRADES ADMITTED WITHOUT NOTICE

TYPE

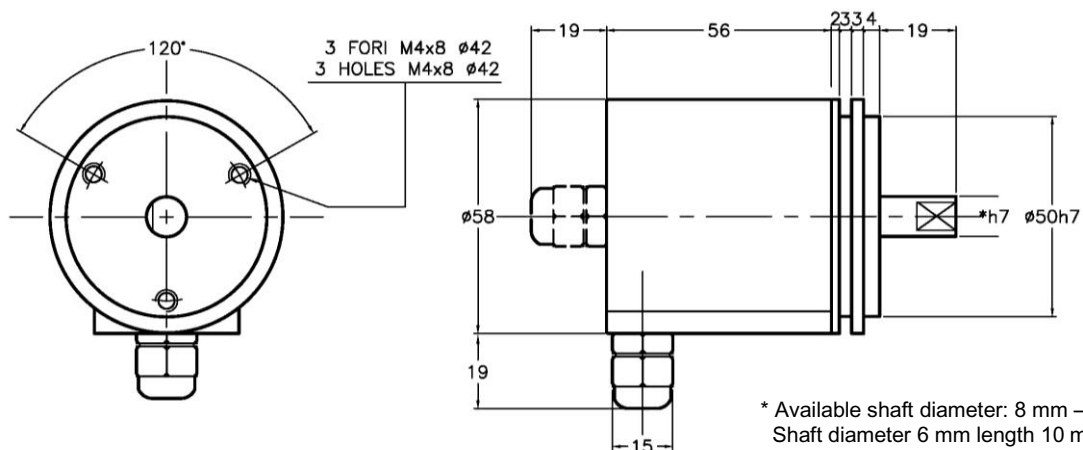
REV520 – REV540 Round flange, no zero pulse
 REV521 – REV541 Round flange, zero pulse
 REV620 Square flange
 REV621 Square flange, zero pulse

DIMENSIONS

REV520

Axial or radial cable outlet

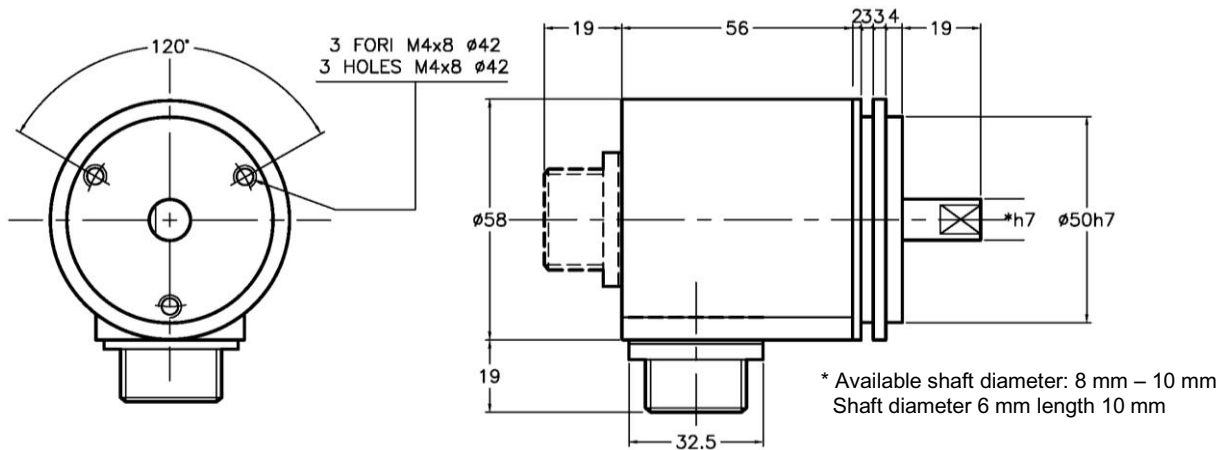
Ref M2015



REV520

Axial or radial 7-pin connector outlet

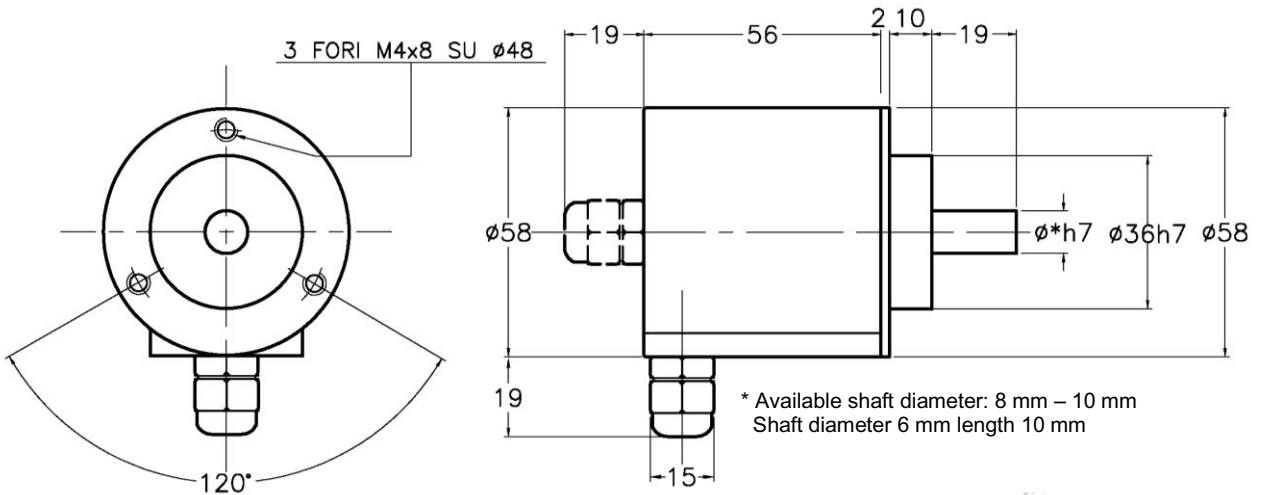
Ref M2015



REV540

Axial or radial cable outlet

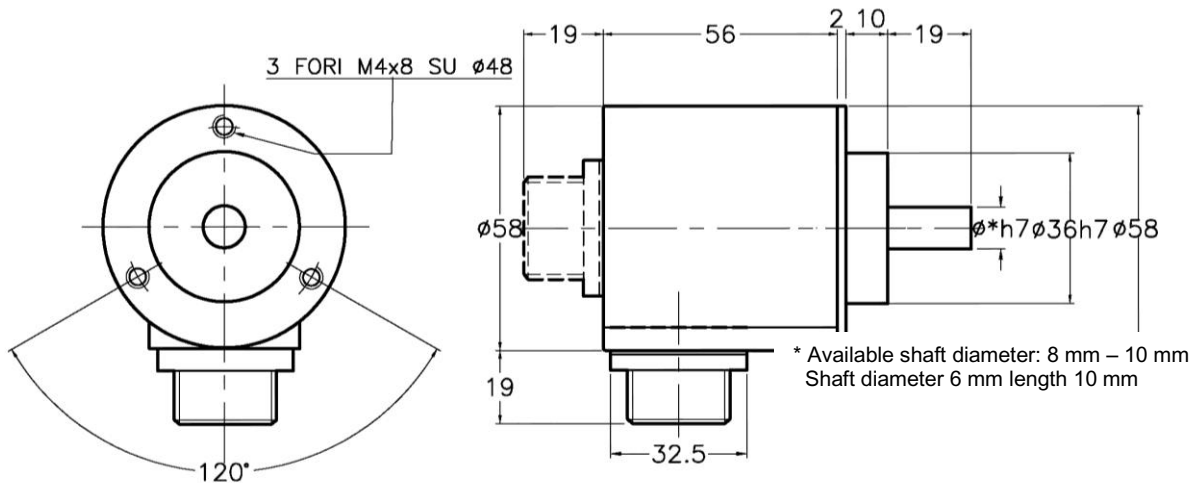
Ref M2016



REV540

Axial or radial 7-pin connector outlet

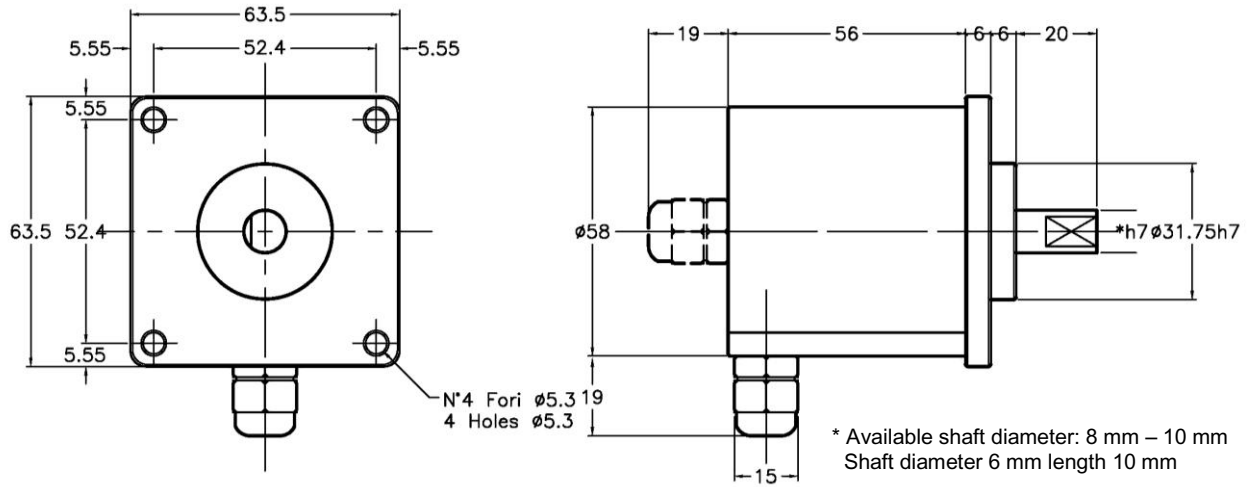
Ref M2016



REV620

Axial or radial cable outlet

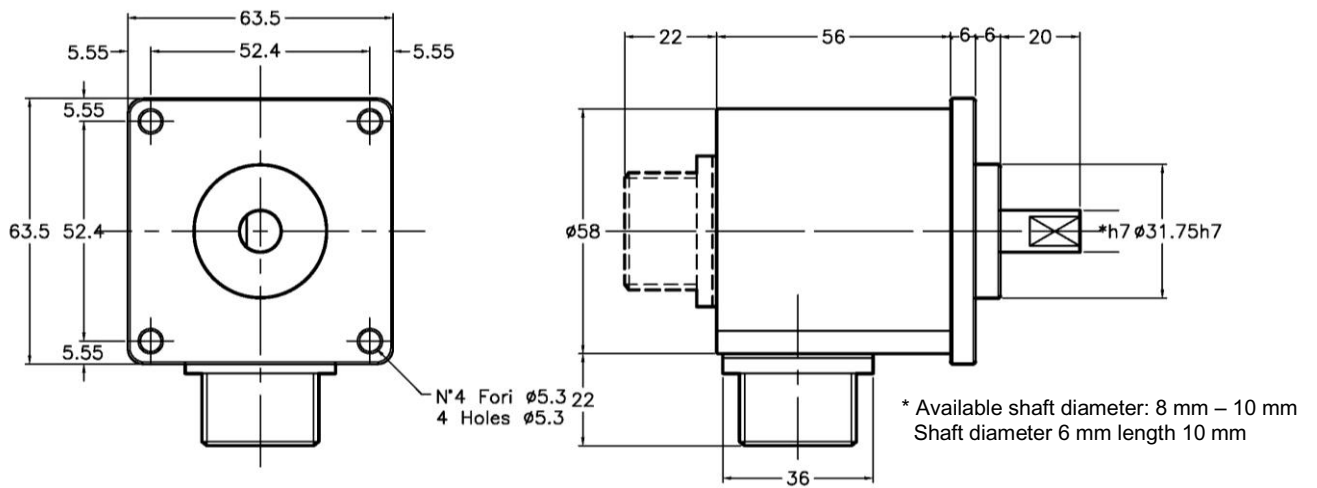
Ref M2017



REV620

Axial or radial 10-pin connector outlet

Ref M2017



*Dimensional drawing available at:
www.elap.it*