

## Contact

+49 89 189 41 49-11

[info@bay-sensortec.com](mailto:info@bay-sensortec.com)



## Capacitive Accelerometer

### BST 64K1 Triaxial

#### Features

- Fully Temperature Compensated
- Anodized Aluminium Housing
- Option: Stainless Steel
- IP 67
- DC Response
- Voltage Output
- 5-, 8- and 12 wire system

#### Application

- Motion
- Automotive
- Truck and Busses
- Train
- Comfort

#### Dimensions

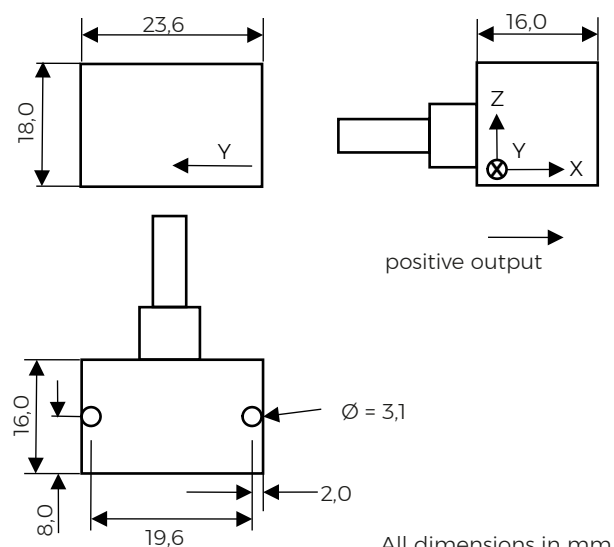


#### Description

The new model **BST 64K1** is a triaxial accelerometer based on variable capacitive technology with a very good Signal-to-Noise Ratio. The accelerometers are designed for relatively low amplitudes. Do to the mounting with two screws. The sensor has 6m very high rugged and flexible cable this makes it easy to connect the sensor on data acquisition systems. It operates between 8 and 30 VDC unregulated. The housing is available in Aluminium and Stainless Steel.

As an option, we supply the sensor with connector, Dallas ID or TEDS module.

A calibration for the sensor is obligatory.



All dimensions in mm

## Specifications

Range	from 2 g to 200 g
Supply voltage	8 to 30 VDC unregulated
Power Consumption	max. 8 mA per axe
Zero measurement output	+/- 80 mV typ in Differential Mode (> 10 g) +/- 150 mV typ in Differential Mode (2 and 5 g) 2500 mV DC +/- 150 mV in Single Ended Mode
Sensitivity	20 mV/g up to 2000 mV/g
Frequency 5% typ	0 Hz to 850 Hz
Shock limit	2000 g (2 g and 5 g); 4000 g (>10 g)
Operation Temperature	-25° to 100° C
Weight	20 grams
Dimensions	23,6 x 16,0 x 18.0 mm (l x w x h)
Case material	anodized Aluminium Option: Stainless Steel

## Individual Data

Range g	2	5	10	25	50	100	200
Frequency Hz	0-90	0-90	0-250	0-400	0-650	0-700	0-850
Sensitivity mV/g	2000	800	400	160	80	40	20
Noise µg/√Hz	7	12	18	25	50	100	200

## Cable Code

5 wire	red = Excitation + white = signal x	black = Excitation - yellow = signal y	green = signal z
8 wire	red = Excitation + <b>x-axis</b> green / violet = Signal + white / violet = Signal -	black = Excitation - <b>y-axis</b> green / grey = Signal + white / grey = Signal -	<b>z-axis</b> green = Signal + white = Signal -
12 wire	<b>x-axis</b> red / violet = Excitation + black / violet = Excitation - <b>y-axis</b> red / grey = Excitation + black / grey = Excitation - <b>z-axis</b> red = Excitation + black = Excitation -	green / violet = Signal + white / violet = Signal - green / grey = Signal + white / grey = Signal - green = Signal + white = Signal -	

## Order information

### BST 64K1A-050-6Z

64K1 = Model Name

A = Aluminium

E = Stainless Steel

O50 = Range 50 g

6 = 6 m shielded cable

Z = no connector